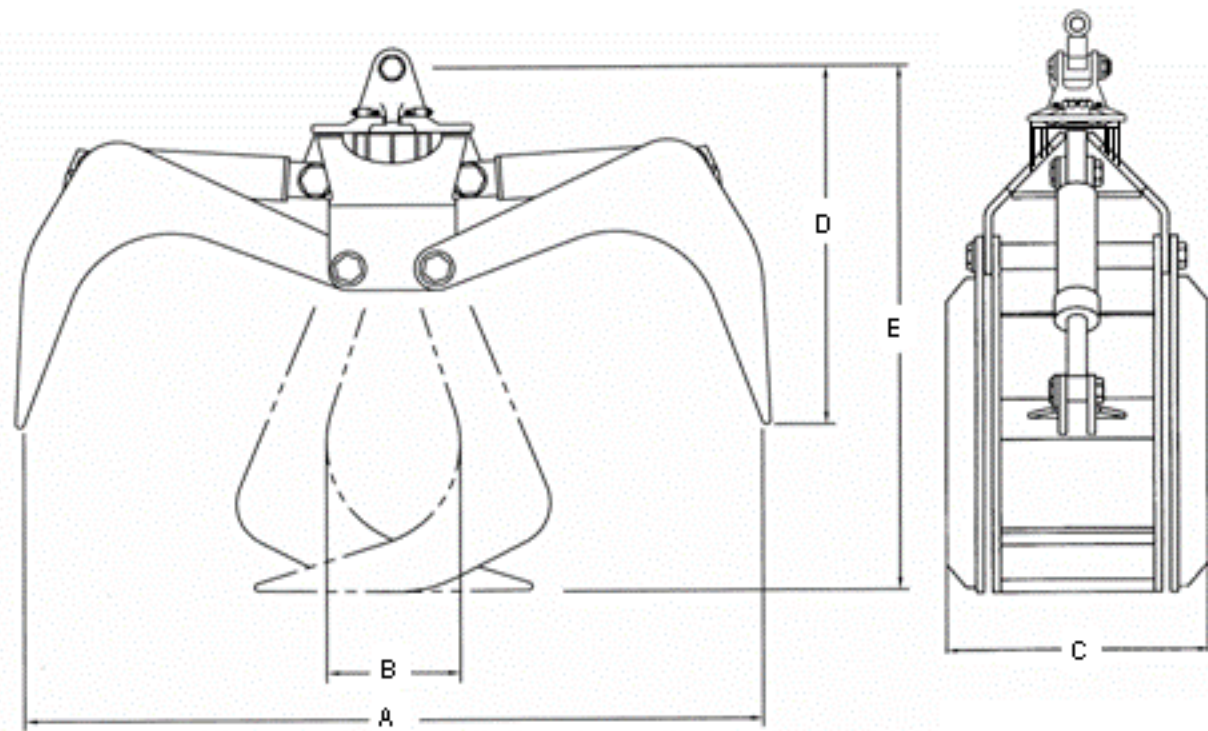


Continuous Rotation

Opening	66 in.
Rotation	Continuous
Rotator lifting capacity	9750 Lbs.
Torque at relief pressure	896 Ft.-lbs. @ 2000 psi
Arm Construction	Hi-tensil T-1
Weight	850 Lbs.

Reference	Dimension
A	66 in.
B	14 in.
C	26 in.
D	68 in.
E	70 in.



Rotator: Indexator GV12	Maximum pressure: 3625 psi	Recommended flow: 6.6 gpm
-------------------------	----------------------------	---------------------------

Cylinder	Cylinder Bore	Recommended pressure	Pressure range	Flow @ 3 sec. closing time
Low Pressure	3 1/2"	2000 psi	1750 to 3000 psi	17 gpm